

i3L Installation Guide

i3L Dimension

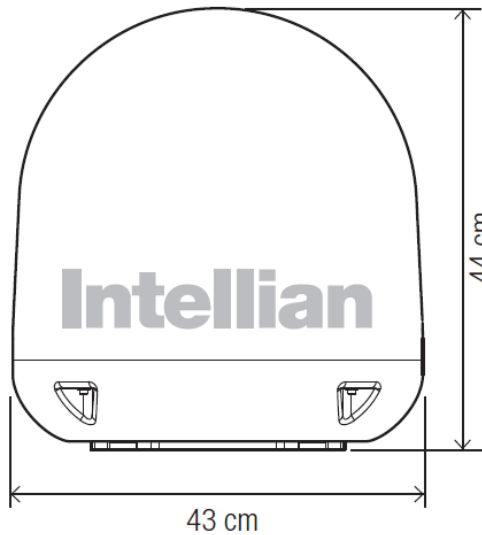


Figure 1. Radome Dimension of i3L

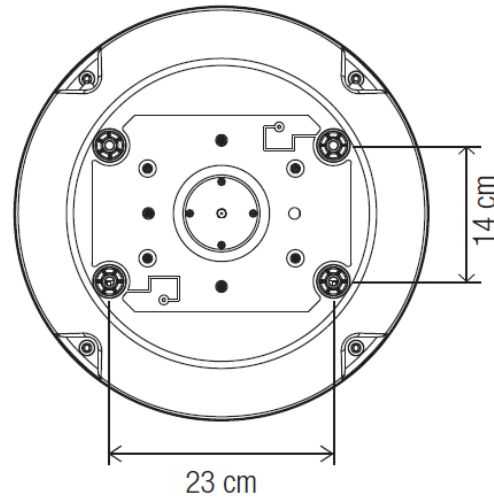


Figure 2. Mounting Hole of i3L

i3L System Configuration

1. Connect the RF cable 15m from the RF1 connector on the antenna based plate to the ANT.RF1 connector on the ACU.
2. Connect the RF cable from the RECEIVER connector on the ACU to RF connector on the receiver.
3. Connect the DC power cable 10m from DC power connector on the ACU to a power source at 12V or 24V DC.
4. Press the POWER ON switch on the ACU to start the operation of the antenna system.

